

electronic lock REFIT

The REFIT electronic lock has been designed for renovations, with metal escutcheons sized to hide the holes and marks on the door of previous locks, without the need of cover plates



features

- Opening via Bluetooth and MIFARE proximity.
- Option to open and manage online by installing Gateways.
- Designed for renovations, with sized escutcheons to hide the holes and marks on the door of previous locks
- Adaptable handle, for doors of left or right opening.
- Guaranteed operation in adverse climatological environments. Stainless steel AISI 304.
- Electromechanical privacy function with exterior visual indicator to prevent entries of unauthorized persons.
- Hidden mechanical cylinder, for auditable emergency openings, and micro USB type C connector for power in case of depleted batteries. Both hidden and protected with a rubber cap.
- Visual and acoustic indicators to facilitate their use by disabled persons, as well as for additional functionalities such as low battery warnings to personnel, privacy indicator, etc.
- Single app for administrator, hotel staff and guests. UpKey allows different functionalities according to the registered user profile.
- The guest is automatically logged into the app via a link created by the hotel, which the guest receives in an email.



DIMENSIONS

80 x 308 x 22 mm



STRENGTH

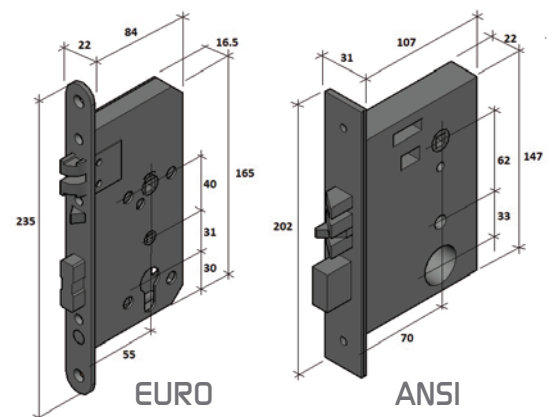
Stainless Steel
AISI 304

REFIT

OMNITEC offers the solution for all those installations that want to renew their old electronic or mechanical locks for a fully flexible, advanced, safe and effective access control system.

With the incorporation of a new system of plates and levers OMNITEC makes it possible to maintain existing mortise locks and enjoy all the functionalities of the SLIM lock.

mortise locks



EURO

ANSI